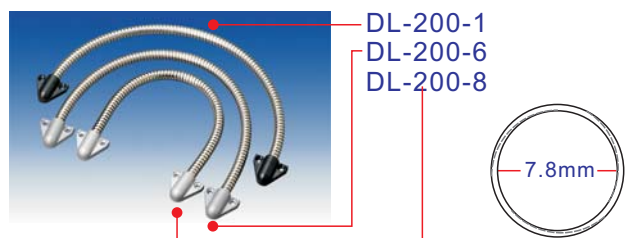
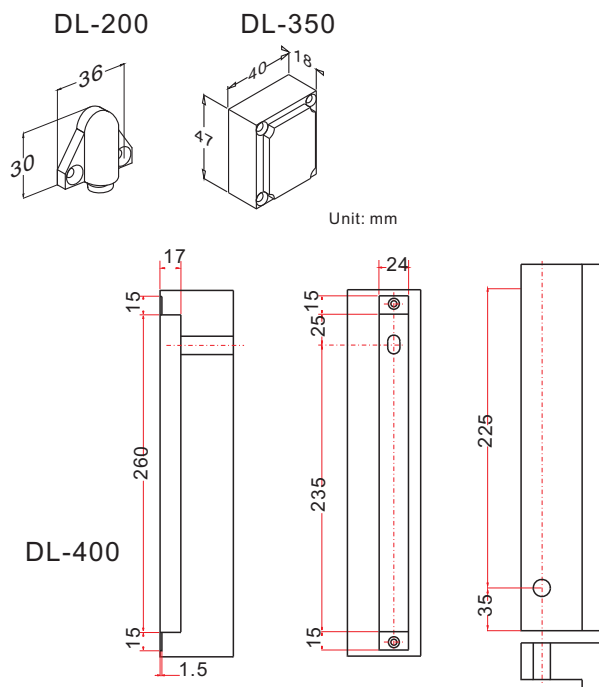


● Statement

The Door Loops are wire extension protector when you install on doorframe to the door. It gives attractive and neat result for the wiring; DL-350 and DL-200 metal hose Length is 40 cm.

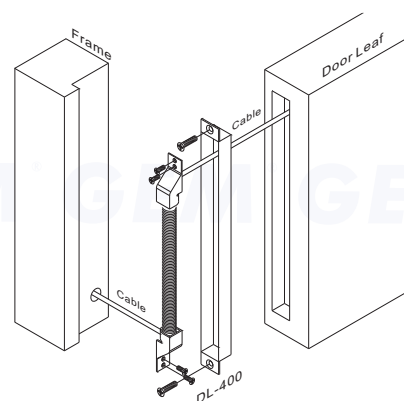


● Dimension



● Application

DL-200, DL-350



● Warranty

The product is warranted against defects in material and workmanship while used in normal service for a period of 1 year from the date of sale to the original customer. The GEM policy is one of continual development and improvement; therefore GEM reserves the right to change specifications without notice.

GIANNI INDUSTRIES, INC.

